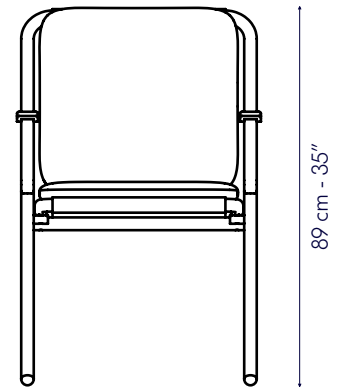




The GARDA collection, designed by Joan Gaspar for BIVAQ, is inspired by the great icons of constructivist and rationalist architecture. A concept based on the chairs and armchairs of the 50s with surnames such as Le Corbusier, Vestergard Jensen, Gio Ponti or Olli Borg, transferred by Gaspar to outdoor furniture. Its functional and apparently simple lines create a collection designed above all to be lived in. A collection that emerges from the fascination for industrialization and the search for practicality through a tubular structure and a fabric base on which the cushions rest. GARDA dispenses with all unnecessary decorative elements and focuses on comfort, lightness and touch.

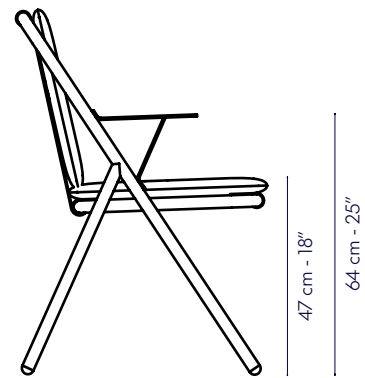
GARDA is a collection primarily adaptable to different space concepts, with contemporary inspiration, but with quality and friendly forms. Its extruded aluminum structure and fabric bring subtlety and comfort to the designs, available in different options, from one-seater armchairs, 2 or 3-seater sofas and chairs. GARDA has also been transferred into a table, available in different types of surface and a side table convertible into a footrest. The collection has been worked in a range of quality and soft colors, with tones from nature that fit with the search for simplification in design. A concept designed for relaxation, a nod to the architectural memory that aims to transport us to another era.

garda, dining armchair



57 cm - 22"

89 cm - 35"



63 cm - 25"

47 cm - 18"

64 cm - 25"

Frame

- Extruded aluminum finished with polyester powder paint.
- Available with aluminium armrests or iroko wood armrests.

Sling

- Vinytex fabric.
- Synthetic fabric made of plastic coated polyester. UV resistance (class. 7/8)

Cushions

- Removables.

Cushion filling

Seat cushion

- Composition 100% polieter fiber
- Foam density 40 Kg/m³.

Backrest cushion

- Composition 100% polieter fiber
- Foam density 25 Kg/m³.

Acrylic fabric

- 100% solution dyed acrylic, UV resistance (class.7/8) with stain and water repellent finish.

Polyolefin fabric

- Made of polyolefin material, to obtain a soft texture and good touch.
- Resistant to dirt as it does not penetrate inside, and by its nature is inert, non-toxic and does not absorb odors.

Vinytex fabric

- Synthetic fabric made of plastic coated polyester. UV resistance (class. 7/8).

Weight and volume

Product	Kg/Lbs	m ³ /cft
garda dining armchair	6/13	0,3/11

Other features

Chair available with aluminium or iroko wood armrests.
The product is delivered assembled.
Available waterproof cover.
Suitable for outdoor use.
Resistant to weathering and sunlight.
See all the available colors in our current Bivaq Catalog or website.

garda, dining armchair

Maintenance

Powder coating aluminium

- Clean the surface regularly with warm water and neutral soap. Use a non-abrasive sponge or cloth.
- Rinse with plenty of water immediately after cleaning and remove the water on the surface with a drying cloth to help you avoid water stains.

Iroko wood

Iroko wood may experience color variations or develop cracks in response to fluctuations in humidity and sudden temperature changes. As part of its natural oxidation process, the wood tends to adopt a silver-grey hue over time. To maintain the quality of Iroko furniture, we recommend treating it with a waterproof sealant twice annually.

- Begin by dampening a cloth with a solution of soap and water. Gently wipe the wood surface to remove dust and pollutants.
- Once the surface is dry, apply Cromaprotect water-based re-toner using a damp sponge. Ensure even coverage over the areas requiring treatment.

Acrylic fabric

- For optimal cleaning, gently wipe the surface with a damp sponge or cloth using a neutral soap diluted in water.
- Should stubborn stains persist, employ a soft brush to gently agitate the affected area instead of a cloth.

Polyolefin fabric

- To avoid general soiling, frequent vacuuming or light brushing to remove dust is recommended.
- Clean the surface regularly with warm water and neutral soap. Use a non-abrasive sponge or cloth.
- The fabric can be washed at low temperature (-30°C -90°F) with warm water and mild soap.

Vinytex fabric

- It is recommended to clean it with a water humid sponge or cloth and a little bit of neutral soap, diluted in large quantity of water.
- If this doesn't work, use a soft brush instead of a cloth to rub the stain.
- Be careful and do not use hard chemicals products that can affect the fibers.