

GARDA

 JOAN GASPAR

DESCRIPTION

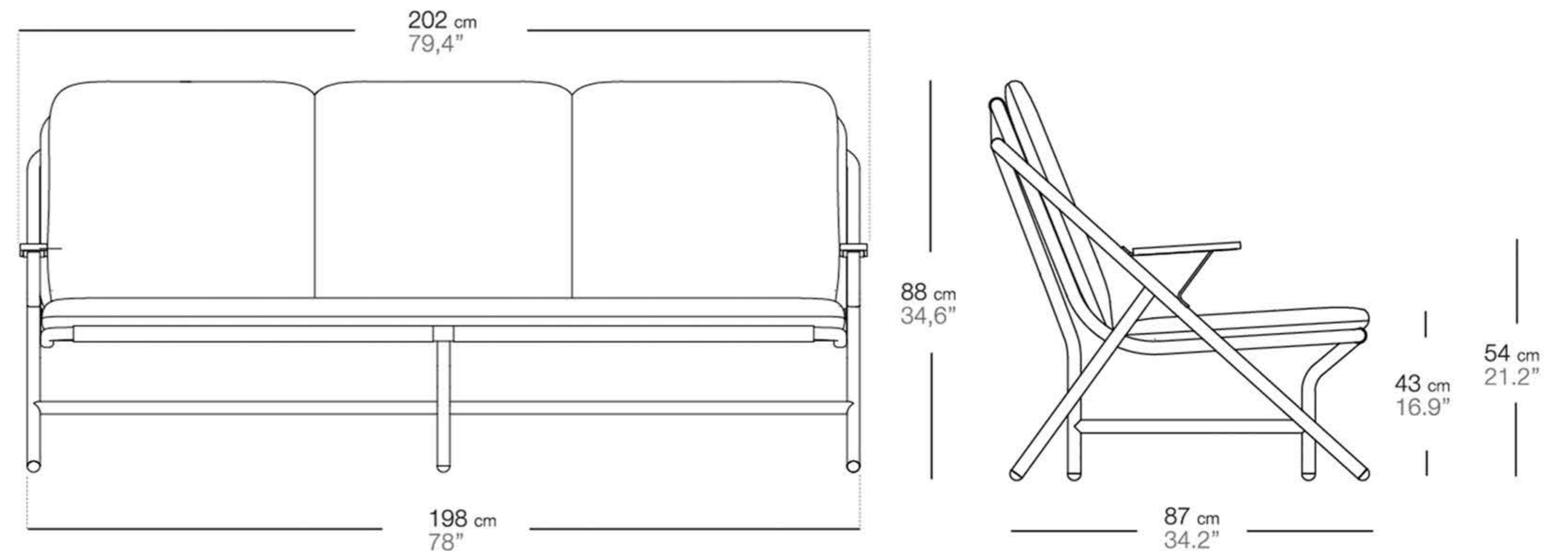
The GARDA collection, designed by Joan Gaspar for BIVAQ, is inspired by the great icons of constructivist and rationalist architecture. A concept based on the chairs and armchairs of the 50s with surnames such as Le Corbusier, Vestergard Jensen, Gio Ponti or Olli Borg, transferred by Gaspar to outdoor furniture. Its functional and apparently simple lines create a collection designed above all to be lived in, following the footsteps of those great names that conceived housing to impact the lives of its inhabitants. A collection that emerges from the fascination for industrialization and the search for practicality through a tubular structure and a fabric base on which the cushions rest. GARDA dispenses with all unnecessary decorative elements and focuses on comfort, lightness and touch.

DETAILS

GARDA is a collection primarily adaptable to different space concepts, with contemporary inspiration, but with quality and friendly forms. Its extruded aluminum structure and fabric bring subtlety and comfort to the designs, available in different options, from one-seater armchairs, 2 or 3-seater sofas and chairs. GARDA has also been transferred into a low table and a dining table, available in different types of surface, and also a side table convertible into a footrest. The collection has been worked in a range of quality and soft colors, with tones from nature that fit with the search for simplification in design. A concept designed for relaxation, a nod to the architectural memory that aims to transport us to another era.

Garda 3 seater sofa

Joan Gaspar | 2023



FRAME

Material

Extruded aluminum, polyester powder coating.

Available with aluminum armrests or iroko wood armrests.

See all the available colors in our current Bivaq Catalog or website.

CUSHIONS

It is recommended to use the product with the seat cushion.

Removables.

Cushion filling

Composition 100% polieter fiber

Density 25 Kg/m³

Acrylic fabric

100% solution dyed acrylic, UV resistance (class.7/8) with stain and water repellent finish.

See all the available colors in our current Bivaq Catalog or website.

Vinytex fabric

Synthetic fabric made of plastic coated polyester. UV resistance (class. 7/8).

See all the available colors in our current Bivaq Catalog or website.

MAINTENANCE

Powder coating aluminium

Clean the surface regularly with warm water and neutral soap. Use a non-abrasive sponge or cloth.

Rinse with plenty of water immediately after cleaning and remove the water on the surface with a drying cloth to help you avoid water stains.

For more information see our "Properties and maintenance guide",

Iroko wood

Iroko may change color or even crack due to humidity levels and sudden changes in temperature. Iroko undergoes a natural process of oxidation that affects its color, which turns a silver-grey shade. Iroko furniture is treated with a waterproof sealant. We recommend treating the wood twice a year:

1. Dampen a rag with soap solution and gently wipe the surface of the wood.

The soap solution will free the surface of dust and contaminating agents from pollution.

2. Once the soap solution has dried we will proceed to the application of the Cromaprotect water based re-toner.

Dampen a sponge with the re-toner and apply onto the surface of the wood you want to treat.

Acrylic fabric

100% solution dyed acrylic, UV resistance (class.7/8) with stain and water repellent finish.

See all the available colors in our current Bivaq Catalog or website.

Vinytex fabric

It is recommended to clean it with a water humid sponge or cloth and a little bit of neutral soap, diluted in large quantity of water.

If this doesn't work, use a soft brush instead of a cloth to rub the stain.

Be careful and do not use hard chemicals products that can affect the fibers.

WEIGHT AND VOLUME

Product	Kg/Lbs	m ³ /cft
Aluminum armrests	29/64	1,81/64
Wood armrests	29/64	1,81/64

OTHER FEATURES

The product is delivered assembled.
Available waterproof cover.
Suitable for outdoor use.
Resistant to weathering and sunlight.