



DESCRIPTION

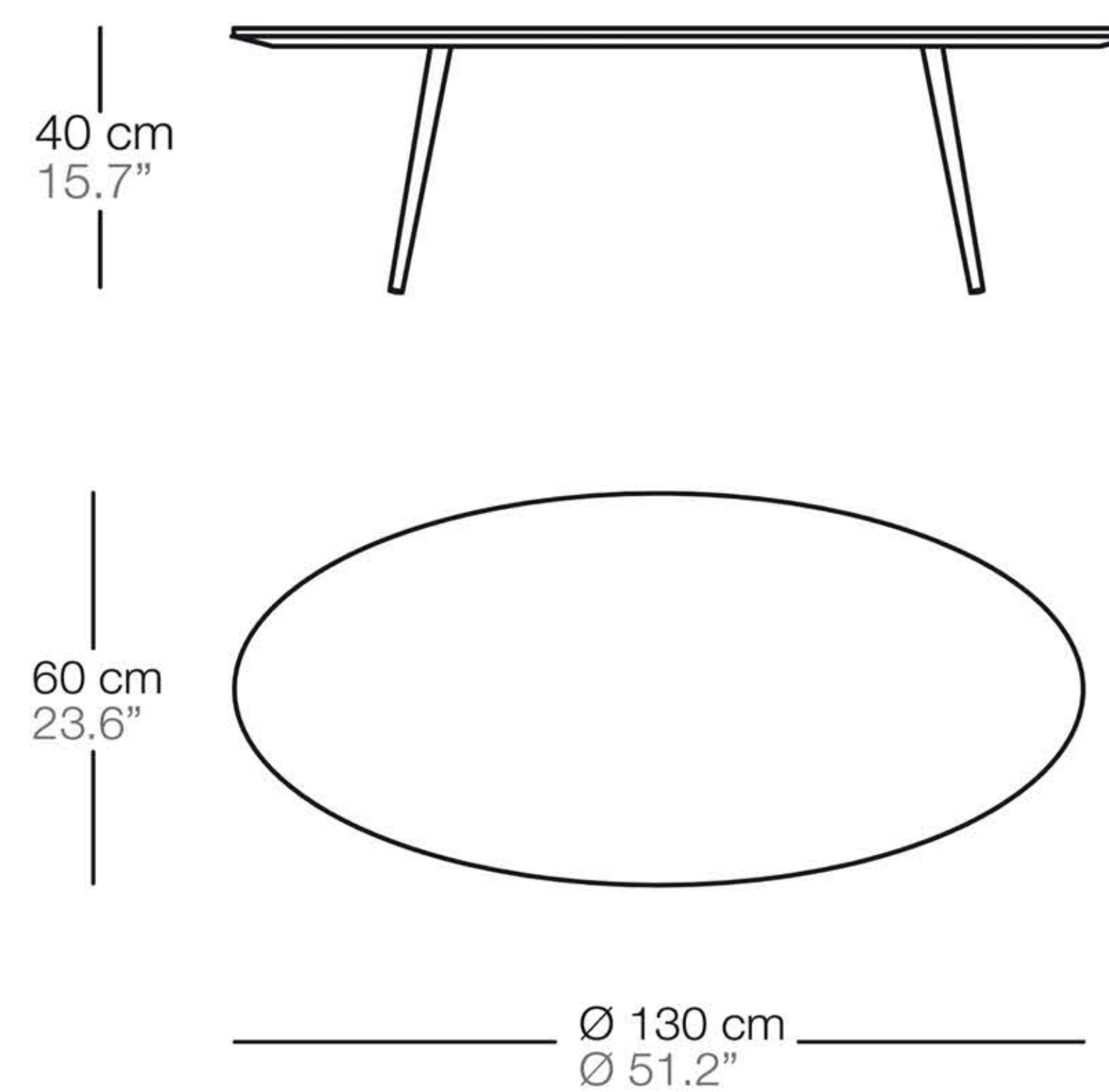
The VINT collection, designed by Andrés Bluth for BIVAQ, was born from the desire to bring the elegance and sobriety of indoor furniture design to the outdoors. VINT takes as a reference the European design of the 50s and 60s. The balance between aesthetics, functionality and the search for new lines characterize the designs of those decades, full of lines and geometric shapes. These formal references inspire VINT, a collection that combines rectangular and circular sections, tapered tubes and a formal language adopted from aluminum's world. The result is a light, neo-retro and minimalist concept.

DETAILS

VINT is a versatile proposal, which can be adapted to more contemporary or rustic concepts depending on the selection of fabrics and chromatic palette. The structure is produced in extruded aluminum and finished in polyester paint, making it a sustainable, lightweight and corrosion resistant outdoor proposal. VINT can be combined with a wide variety of colors and sun and water resistant fabrics, with different levels of softness for your armchairs, sofas and with different types of surfaces from Iroko wood, to laminates and highly resistant materials such as Dekton.

Vint oval low table 130x60x40

Andrés Bluth | 2004



FRAME

Material

Extruded aluminum, polyester powder coating.

See all the available colors in our current Bivaq Catalog or website.

TABLE TOP

Material

HPL compact (10mm)

Solid phenolic core laminate.

See all the available colors in our current Bivaq catalogue or website.

Iroko wood (27mm)

MAINTENANCE

Powder coating aluminum and steel

Clean the surface regularly with warm water and neutral soap. Use a non-abrasive sponge or cloth. Rinse with plenty of water immediately after cleaning and remove the water on the surface with a drying cloth to help you avoid water stains.

For more information see our "Properties and maintenance guide".

Dekton

1. Apply neutral soap to the affected area and gently rub in a circular motion using a damp microfibre sponge.

2. Leave for a couple of minutes and wipe with a cloth to remove any soap residue. Then dry it with kitchen paper.

For more information see our "Properties and maintenance guide".

HPL Compact

HPL should be cleaned regularly but do not require any special maintenance. Just a damp cloth with warm water or mild detergent.

Almost all household cleaning products or disinfectants can be used as long as they are not abrasive or highly alkaline. not abrasive or highly alkaline.

For more information see our "Properties and maintenance guide".

Iroko wood

Iroko may change color or even crack due to humidity levels and sudden changes in temperature. Iroko undergoes a natural process of oxidation that affects its color, which turns a silver-grey shade. Iroko furniture is treated with a waterproof sealant. We recommend treating the wood twice a year:

1. Dampen a rag with soap solution and gently wipe the surface of the wood.

The soap solution will free the surface of dust and contaminating agents from pollution.

2. Once the soap solution has dried we will proceed to the application of the Cromaprotect water based re-toner.

Dampen a sponge with the re-toner and apply onto the surface of the wood you want to treat.

WEIGHT AND VOLUME

Product	Kg/Lbs	m3/cft
White compact	20/11	0,2/1,4
Iroko	21/11	0,2/1,4

OTHER FEATURES

The product is delivered assembled.
Available waterproof cover.
Suitable for outdoor use.
Resistant to weathering and sunlight.