



DESCRIPTION

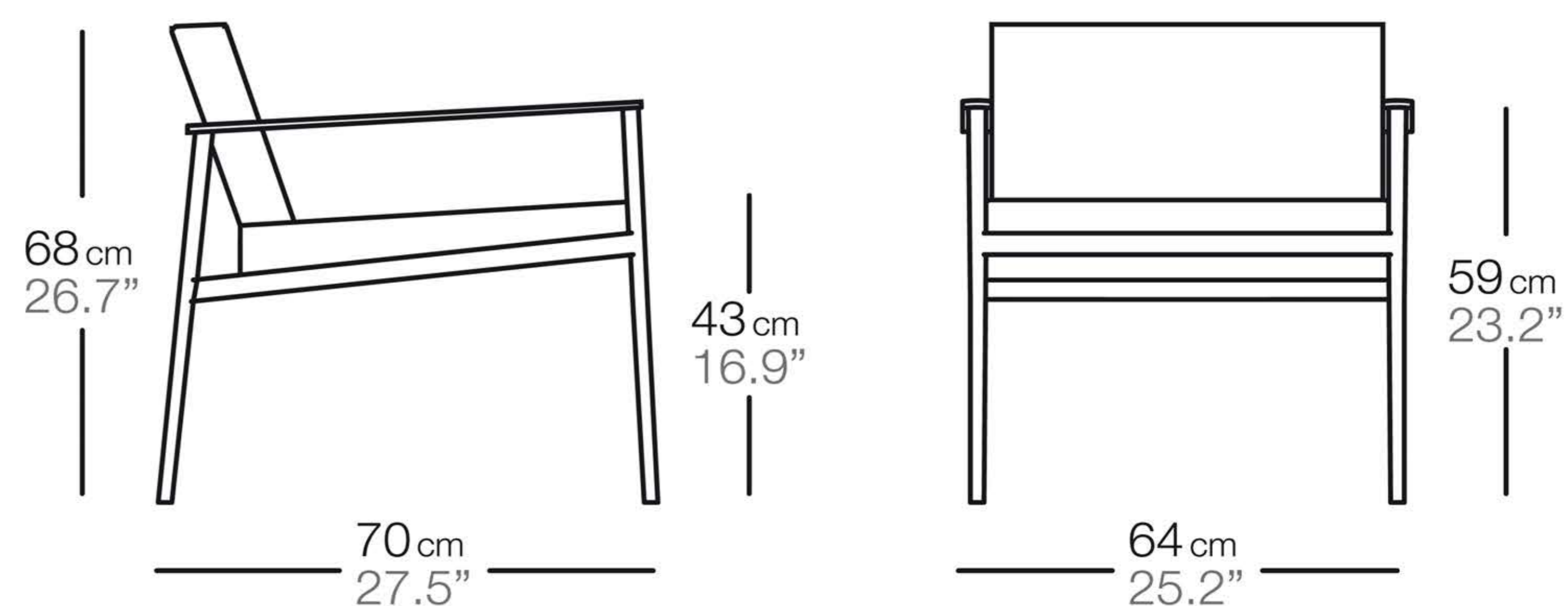
The VINT collection, designed by Andrés Bluth for BIVAQ, was born from the desire to bring the elegance and sobriety of indoor furniture design to the outdoors. VINT takes as a reference the European design of the 50s and 60s. The balance between aesthetics, functionality and the search for new lines characterize the designs of those decades, full of lines and geometric shapes. These formal references inspire VINT, a collection that combines rectangular and circular sections, tapered tubes and a formal language adopted from aluminum's world. The result is a light, neo-retro and minimalist concept.

DETAILS

VINT is a versatile proposal, which can be adapted to more contemporary or rustic concepts depending on the selection of fabrics and chromatic palette. The structure is produced in extruded aluminum and finished in polyester paint, making it a sustainable, lightweight and corrosion resistant outdoor proposal. VINT can be combined with a wide variety of colors and sun and water resistant fabrics, with different levels of softness for your armchairs, sofas and with different types of surfaces from Iroko wood, to laminates and highly resistant materials such as Dekton.

Vint low armchair

Andrés Bluth | 2004



FRAME

Material

Extruded aluminum, polyester powder coating.

Available with aluminum armrests.

See all the available colors in our current Bivaq Catalog or website.

CUSHIONS

Removables.

Cushion filling

Composition 100% polieter fiber + polyester wadding 150gr.

Seat cushion density: 30 Kg/m³
Back cushion density: 25 Kg/m³

Acrylic fabric

100% solution dyed acrylic, UV resistance (class.7/8) with stain and water repellent finish.

See all the available colors in our current Bivaq Catalog or website.

Vinytex fabric

Synthetic fabric made of plastic coated polyester. UV resistance (class. 7/8).

See all the available colors in our current Bivaq Catalog or website.

MAINTENANCE

Powder coating aluminium

Clean the surface regularly with warm water and neutral soap. Use a non-abrasive sponge or cloth.

Rinse with plenty of water immediately after cleaning and remove the water on the surface with a drying cloth to help you avoid water stains.

For more information see our "Properties and maintenance guide"

Acrylic fabric

100% solution dyed acrylic, UV resistance (class.7/8) with stain and water repellent finish.

See all the available colors in our current Bivaq Catalog or website.

Vinytex fabric

It is recommended to clean it with a water humid sponge or cloth and a little bit of neutral soap, diluted in large quantity of water.

If this doesn't work, use a soft brush instead of a cloth to rub the stain.

Be careful and do not use hard chemicals products that can affect the fibers.

WEIGHT AND VOLUME

Product	Kg/Lbs	m3/cft
Vint armchair	7,15,43	0,52/18,4

OTHER FEATURES

The product is delivered assembled.
Available waterproof cover.
Suitable for outdoor use.
Resistant to weathering and sunlight.