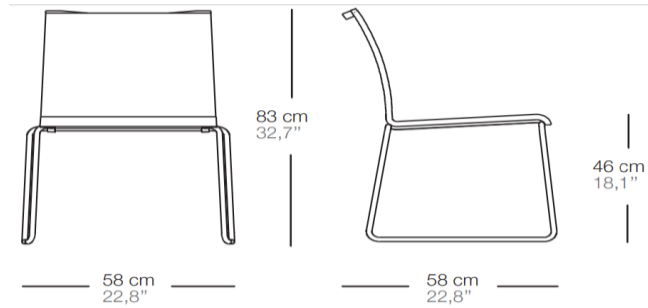


bivaq



TECHNICAL DATA

CLUB CHAIR

Designer: Andrés Bluth

58x58x83 cm

22,8"x22,8"x32,7"

FRAME

Material

Extruded aluminum

Finish

Polyester powder coating

FABRIC

Material

Vynitex fabric: synthetic fabric made of plastic coated polyester.

UV resistance

Class. 7/8

Color fastness

5 (clasif. max. 5)

FABRIC COLORS

Powder coating colors

More than 15 available p. coating colors in our Bivaq current catalog.

ADDITIONAL ITEMS

Waterproof cover

Cushion

MANTEINANCE

Powder coating aluminum

Clean the surface regularly with warm water and neutral soap.

Use a non-abrasive sponge or cloth.

Rinse with plenty of water immediately after cleaning.

Fabric

It is recommended to cleaned with water, humid sponge or clothe and a little bid of neutral soup. Diluted in large quantity of water.

If this doesn't work, use a soft brush instead of a cloth, to rub the strain.

Be careful and do not use hard chemicals products that can affect the fibers

BOX WEIGHT - VOLUME

5,5 kg. - 0,45 m3

OTHERS

Suitable for outddor use. Resistant to weathering and sunlight.

Club Collection is defined by its lightness and straight lines that, depending on chosen colour, can fit in different architectural spaces or atmospheres.

COUNYTRY OF ORIGIN

Designed and manufactured in Barcelona, Spain

Av. J.V. Foix 72-74

08034 Barcelona

Spain

Tel.: +34 93 205 75 95

info@bivaq.com

www.bivaq.com